

RC3502HD



H.264 Full HD Outdoor Fixed IP Dome Camera

- Full HD1080p @ 30fp
- 6311 Model fit with Remote Zoom/Focus Control (One Click AF)
- Video Compression: H.264, MJPEG
- True Day/Night and WDR
- Video Dual Stream, Two-way Audio with G.711
- MicroSD/SDHC Memory Card Slot
- **ONVIF** Support, PoE (IEEE 802.3af)
- Embedded VCA Technology Video Analytics
- Vandal Proof IK-10 / IP66 Protection Ration



Specifications

CAMERA	
Model	RC3502HD-5211: Vario focal lens RC3502HD-6311: Motorized Focus & Zoom lens
Image Sensor	5211 1/2.7" 1080p CMOS 6311 SONY EXMOR 1/2.9" 1080p CMOS
Effective Pixels	1920 x 1080
Scanning System	Progressive scanning
AGC Control	Auto, adjustable amplification level
Minimum Illumination	Color: 0.5 lux, F1.2 - B/W : 0.001Lux (DSS ON)
Auto IRIS (DC)	Iris control via camera unit
Lens	5211 Manual 3.0 – 9.0mm Vari-Focal, F1.2-F2.1 6311 3.0 – 9.0mm Zoom, F1.2-F2.1, Motorized Focus & Zoom Control – One Click Focus Function
Lens Angle of View	Wide approx: 93.0°(H) x 68.4°(V) Tele approx: 31.7°(H) x 23.8°(V)
Shutter Time	1/10.000s to 1/2s
Shutter Exposure Modes	Automatic - with configurable min/max shutter speed (exposure time range) Manual - with configurable fixed shutter speed Flicker-Control - 50/60Hz
Day & Night Switching	Auto/Manual (both switching level adjustable 1 ~ 64) Removable IR Cut Filter
Image Settings	Configurable brightness, contrast, saturation, sharpness, vertical flip & horizontal mirror function Corridor Mode (-90° / +90° image flip)
2D-DNR	Configurable digital noise reduction 1 ~ 16
Wide Dynamic Range	5211 Digital WDR (configurable levels 1-16) 6311 Up to 100dB Dynamic Range with WDR
Exposure Adjustment	+1.0, +0.6, +0.3, 0, -0.3, -0.6, -1.0 EV
White Balance	ATW1 / ATW2 / Push / Manual
DSS (Sens-up)	Configurable digital slow shutter 2X ~ 16X
Backlight Compensation	BLC On/Off (possible to designate zone)
Focus Assistant	5211 Video display to simplify the focus point adjustment
VIDEO	
Video Compression	H.264 Baseline, Main, High profile (MPEG-4 Part 10/ AVC), MJPEG (Motion JPEG)
Video Streaming	Dual Stream, Independent Configurable H.264: Controllable frame rate and image resolution, bandwidth limitation (CVBR/CBR) MJPEG: Controllable frame rate and image resolution, JPEG quality

VIDEO	
Resolutions	16:9 mode 1920x1080, 1280x720, 1120x630, 960x540, 800x450, 640x360, 480x270, 320x180 4:3 mode SXGA(1280x960), XGA(1024x768), SVGA (800x600), PAL(720x576), NTSC(720x480) VGA(620x480), QVGA(320x240)
Frame Rate	H.264: Configurable up to max 30fps in all resolution* MJPEG: Configurable up to max 30fps in all resolution*
Motion Detection	Max. 8 zones with independent configuration of detection sensitivity and target object size
Video Stabilization	Supported for First/Second Stream and Snapshot
Defogging	Selectable Defogging level (low, medium, high)
Burnt-in Text	Time / Date / Name (Name up to 48 characters), flexible display position configuration
Privacy Mask Zones	4 flexible configurable regions
Analogue Video	NTSC/PAL Video Signal (1.0Vp-p, 75Ω)
AUDIO	
Audio input / output	Line-In: 0.178Vp-p, 10KΩ Lineout: 2.26Vp-p, 10KΩ
Compression Format	G.711-uLaw
NETWORK	
Ethernet Standard/IP	10 / 100 Base-T / IPv4, IPv6
Protocol	QoS Layer 3 DiffServ, TCP/IP, UDP/IP, HTTP, HTTPS, FTP, RTSP, RTCP, RTP/UDP, RTP/TCP, mDNS, UPnP™, SMTP, DHCP, DNS, DynDNS, NTP, SNMPv1/v2c/v3(MIB-II), IGMP, ICMP, SSLv2/v3, TLSv1, SRTP, RTMP
Users Connection	Live viewing for up to 10 clients
Security	HTTPS(SSL), IP Filtering, Multi-level access with password protection
GENERAL	
I/O Terminal	1x Alarm In - max 50mA@5VDC, TTL 1x Alarm Out - max 50mA@24VDC, TTL
Edge Storage	Via micro SD/SDHC card (up to 32GB) for continuous or event recording. Search interface for event files, playback and download (card not included).
Application Programming Interface	Software Development Kit (SDK) available ONVIF compliant
Event Metadata Streaming RTSP/RTP	Video Motion Detection (MD), Video Content Analytics(VCA)

* If VCA is activate, frame rate is limit to max. 15fps@1080p. Limitations are based on V.1.9.0 firmware release and could be changed without notice

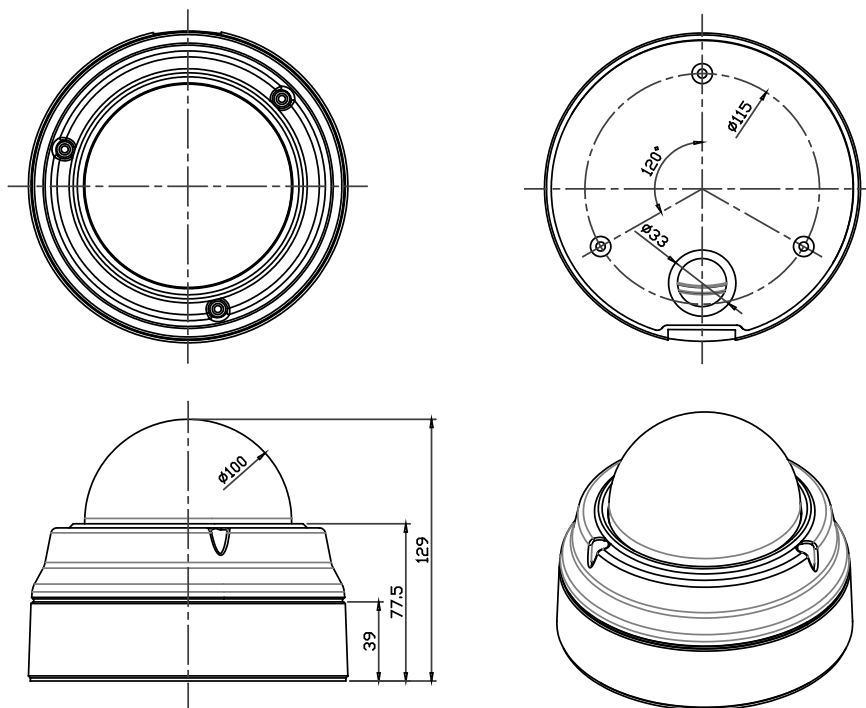
RC3502HD

GENERAL	
ONVIF	Version: 2.41 (Support Profile S and G)
Event Sources	Sensor(DI), Video Motion Detection, Tamper Detection, Video Content Analytics(VCA), Network Loss/Detect, Network Setting Change, Time (Recurrence/Schedule)
Event Actions	Notification service via TCP/IP, HTTP, multicast or email text messages with snapshot, DO-contact, file upload on external FTP server, local SD memory card recording
Approvals	FCC, CE, KC, IP66, IK-10, RoHs
ELECTRICAL	
Power Source	12V DC / PoE (IEEE 802.3af)
(Approx) Power Consumption	5211 14.52W @ DC 12V
	6311 14W @ DC 12V
ENVIRONMENT	
Heater	Heater Unit (Heater Function only with 12V-DC power)
Operation Temperature	DC12V : -40°C ~ 50°C (-40°F ~ 122°F) PoE : -20°C ~ 50°C (-4°F ~ 122°F) Cold Start DC12V : -30°C (-22°F) / PoE: 0 °C (32°F)
Operating Humidity	Up to 85% RH, Non-condensing
MECHANICAL	
Material	Aluminum Die Casting, Anti-vandal bubble (PC)
Color	White
Dimension	Housing: 155(Φ) x 129(H) mm, Dome: 100(Φ) mm
Weight (Approx)	1.2kg (2.64 lbs)

VIDEO CONTENT ANALYSIS (Included as Standard)	
High Performance	Advanced tracking algorithm and low false alarm rate
Easy to Use	Intuitive web browser interface
Detection Zones and Rules	Up to 40 zones (multi-segment polygons and lines) 60 VCA filter rules in total
On-screen Display	Real-time display of tracking data and events via activeX plug-in in IE browser
Burnt in Annotation	Allows the VCA annotation to be burnt into the raw video stream for displaying on third party application
Tamper Detection	Recognize camera tampering via VCA detection (defocusing, lens covering, camera moving)
VIDEO CONTENT ANALYSIS (Option extension License)	
Available License	VCAdetectIP, VCAcountIP, VCAsurveillancIP, VCAadvancedIP, VCAprofessionalIP
VCA Detection Filters	Objekt: Enter, Exit, Appear, Disappear, Stop, Direction, Dwell, Speed, Unauthorized Access, Counting Line, Color Filter, Object Classification
VCA Features	<ul style="list-style-type: none"> - Up to 20 Onscreen Counter Displays - Counting-Line for accuracy people and vehicle counting with local database and reporting service - VCA calibration via 3D tools for right object size detection - Several definable object class to include into the detection rules for the VCA alarm - 10 colors in total to distinguish objects by color - People tracking mode to tracks individuals separately among overlapped multiple people - Heatmap Report shows relative crowd density of the 24 hour period (criterion: midnight)
Logical Rules	Extension of alarm rules using logical operators (AND, OR..) for the VCA detection filters of created zones / lines
Info VCA	Details regarding supported VCA filters and features of the different extension licenses find on RIVA Product Overview document

Dimension

(Unit: mm)

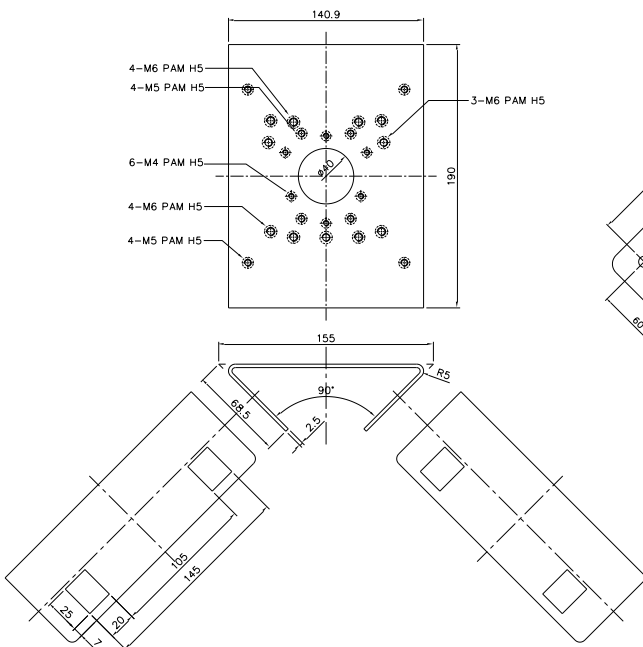
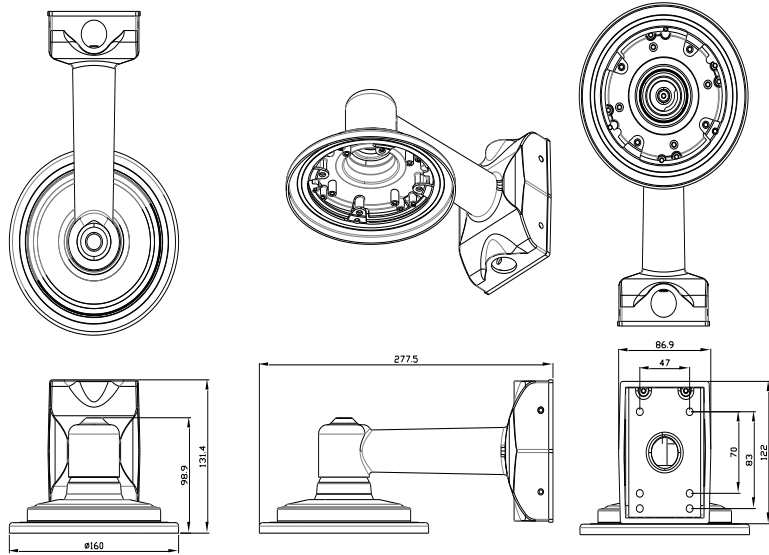


Accessories

Wall Mount Bracket

Model: WMB-3000

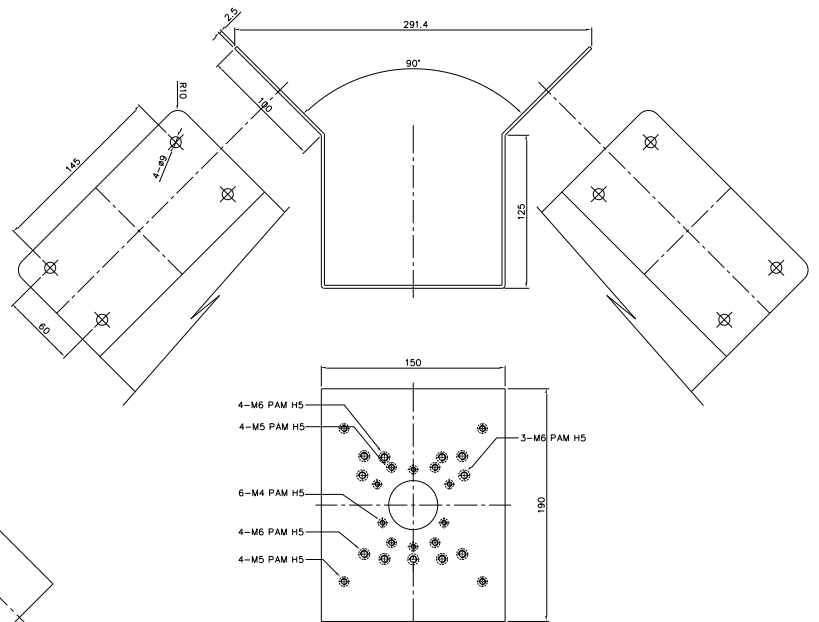
Weight: 1Kg (2.2lb)



Pole Mount Adaptor

Model: PMA-U100

Weight: 2,28Kg (5.0lb)



Corner Mount Adaptor

Model: CMA-U100

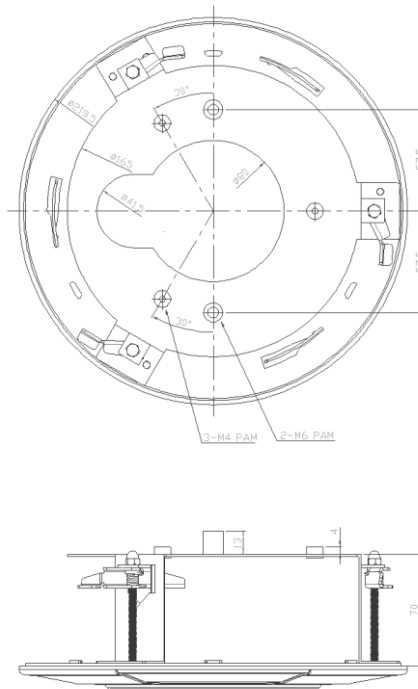
Weight: 946g (2.1lb)

To mount wall bracket WMB-3000 on pole or corner the adaptor PMA-3000 or CMA-3000 can use alternative.

Flush Mount Bracket

Model: FMB-3502

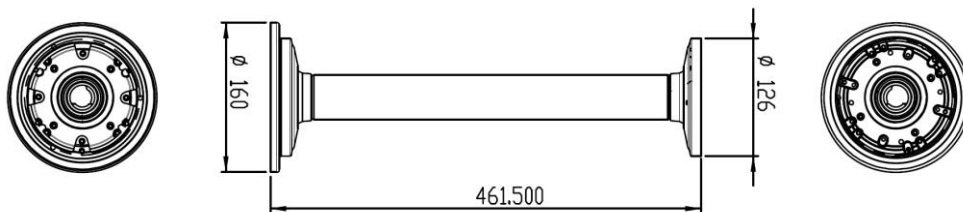
Weight: 400g (0.9lb)



Ceiling Mount Bracket

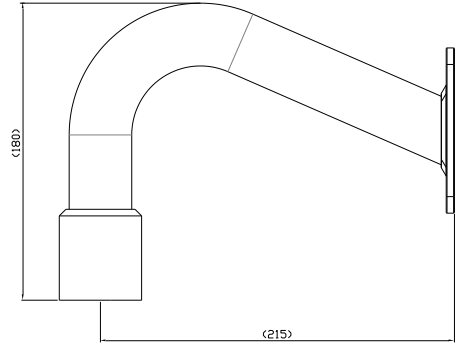
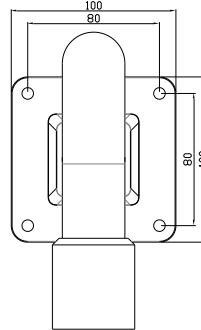
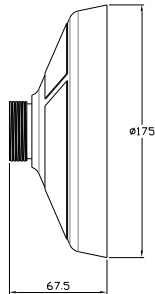
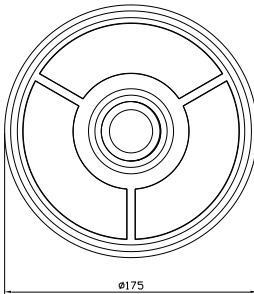
Model: CMB-3000

Weight: 400g (0.9lb)



Please note: To cover IP classification of the camera housing or bracket need accordingly installation

Additional Accessories on Request

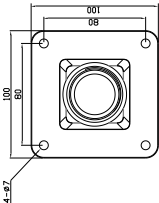
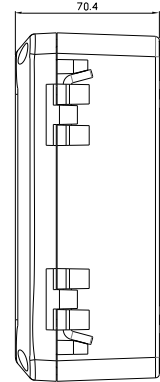
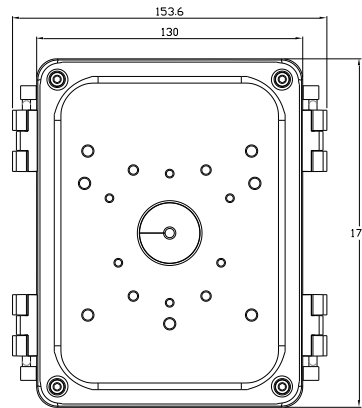
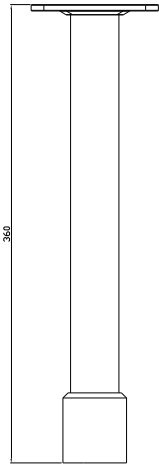


Pendant Mount Cap

Model: PMC-3000
Weight: 427g (0.94lbs)

Wall Mount Bracket

Model: WMB-3000P
Weight: 430g(0.95lbs)



Ceiling Mount Bracket

Model: CMB-3000P
Weight: 437g (1.0lbs)

Junction Box

Model: JBK-U100
Weight: 1.02Kg (2.2lbs)

